

Omega 7™

MAGNIFIER

Fact Sheet



The Omega 7 is a modern, ergonomically designed magnifying lamp. It has a large 6.9", 3 diopters (1.75X), lightweight acrylic lens and high power LEDs with 4 brightness level for clear viewing. The internal spring arm allows accurate positioning and lateral protections help you keep it clean. The aesthetically pleasing white and gray finish fits perfectly within any professional environment.

LED 6,000K daylight

6,300 Lux at 6"

4 brightness levels



LIGHT QUALITY



ERGONOMICS



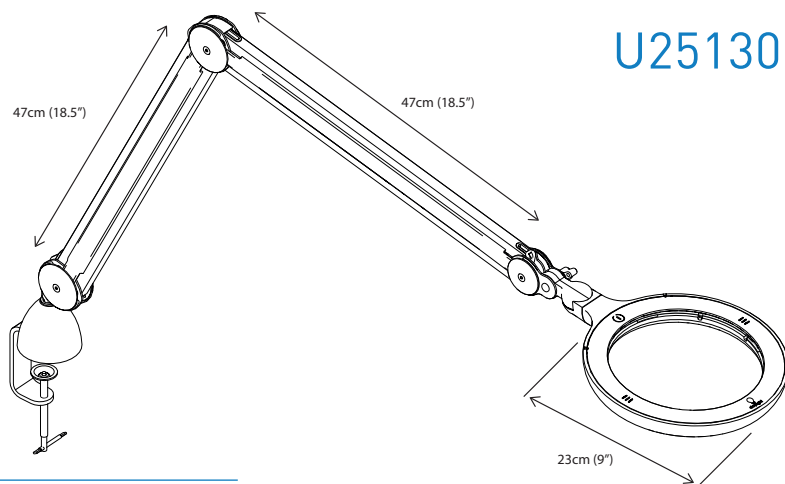
DESIGN

daylightcompany.com

Omega 7™

MAGNIFIER

U25130



FEATURES

- Acrylic lens with anti-scratch coating
- 3 diopters (1.75X)
- 4 brightness levels
- Long reach 46.5"
- Covered arms with internal springs and covered

SPECIFICATIONS

Product information

Weight	7.2 lb
Colour	White / Grey
Lens size	78"

Light output

Light source	LEDs
Lumens	814 lm
Lux at 6"	6,300
Colour temperature	6,000K
CRI	80+
Energy consumption	12W

Packaging information

Height	24"
Width	20.8"
Depth	4.1"
Packed weight	9.9lb
Products per master carton	2

ACCESSORIES

U53060 Floorstand

Height	28.3"
Width	25.9"
Weight	17.8lb

